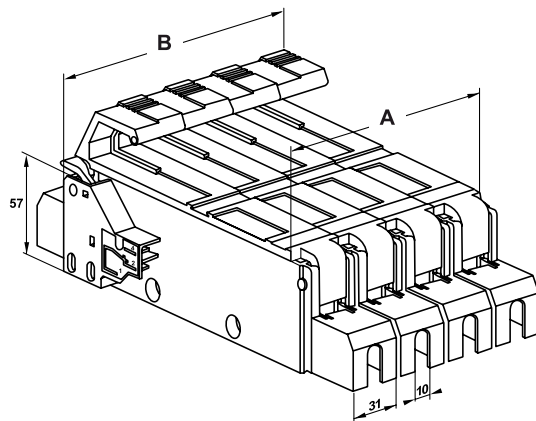


Fuse holder PS 20x127 UL Recognized at 1500VAC/DC with or w/o microswitch



Nb of Poles	Voltage (V)	Cat. Number w/o microswitch	Ref. Number w/o microswitch	Cat. Number with microswitch	Ref. Number with microswitch	Packaging
1	63	PS201PRE	F097203C	PS201PREMCP	H097205B	C=3, B=2
2	80	PS202PRE	G097227B	PS202PREMCP	D097293B	2
3	100	PS203PRE	H097228A	PS203PREMCP	E097294A	1
4	125	PS204PRE	J097229A	PS204PREMCP	F097295A	1



Nb of Poles	A	B
1	35	50
2	69	84
3	103	118
4	137	152

Fuse holder for semiconductor ferrule fuses