

MINGRONG

Professional Manufacturer for High & Low Voltage Fuses and Fusegears Combined Electrical Appliance

Product Center

>> Home / Product Center / Square fast-acting



Parameter Feature Outline Curve

Table 7 (cont.)

Cat. No.	Models MIRO	Cross-reference	Rated voltage (V)	Rated current (A)	Dimensions/sizes (mm)										Weight (g)
					Fig.	A	B	C	D	E	F	H	ϕd		
0706	RGS36	RS0/RS3	250	32~200	7.2	52	100	120	40	20	2	48	9 × 12	277.5	
0707	RGS32	RS0/RS3	250	63~250	7.2	55	100	125	48	29	3	50	11 × 17	400	
0708	RGS33	RS0/RS3	250	80~400	7.2	55	100	130	58	30	3	60	11 × 17	542	
0709	RGS34	RS0/RS3	250	160~630	7.2	59	100	135	67	40	5	72	14 × 20	950	
0710	RGS36	RS0/RS3	500	320~200	7.2	72	120	140	40	20	2	48	9 × 12	336.5	
0711	RGS32	RS0/RS3	500/750	63~250	7.2	75	120	145	48	29	3	50	11 × 17	482	
0712	RGS33	RS0/RS3	500/750	80~400	7.2	75	120	150	58	30	3	60	11 × 17	670	
0713	RGS34	RS0/RS3	500/750	160~630	7.2	79	120	155	67	40	5	72	14 × 20	1058	
0714	RGS39	RS3	500/750	500~1000	7.2	79	145	185	86	50	5	90	18 × 28	1760	

INQUIRY
00-800-9662

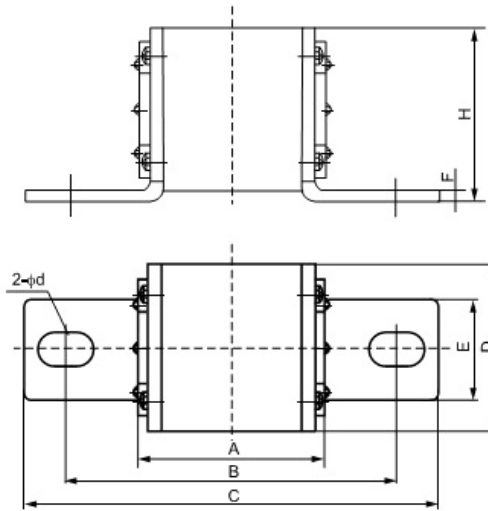


Figure 7.2



浙江明荣电器 中国驰名商标

About Mingrong

- Company Profile
- Development
- Organization
- President address

News and media

- Company news
- Enterprise video
- Exhibition information

Products and Services

- Fuse links
- Bole connected fuse links
- Fuse bases
- Fuse alarms
- Fuse carriers
- Combinating electric of fuse

Support

- Customer Service Center
- Customer complaints
- Marketing network
- Technical FAQ
- Download

Jobs

- Talent concept
- Recruitment information
- Recruitment line

Contact Us

- Regions
- Contact
- Sitemap

Automobile Fuse
High voltage fuse

Copyright © Zhejiang Mingrong Electrical Protection Co., Ltd All Rights Reserved

