

NH Fuse Handles

ACCESSORIES FOR FUSES & FUSE SYSTEMS

FUSE PULLERS / CLIP CLAMPS



NH- fuse handles are in accordance with the standards of EN 60269 and VDE 0680 part 4/DIN 43620. They are used to insert and remove NH-fuse links and solid links of sizes 00, 0, 1, 2, 3 and 4. These fuse links are in accordance with DIN 43620/1 and are used in NH-fuse bases.

The NH-fuse handles are tested according to VDE 0680 part 4 and are suitable for voltages up to 1000V. The NH-fuse handles carry the GS - sign (tested safety) verified by the VDE - testing institute in Offenbach/Germany.

FEATURES & BENEFITS

- available in two versions: with and without fire proof arm protection
- arm protection = leather cuff
- large opening for gripping
- wide hand protection design
- flame resistant synthetic material
- corrosion resistant metal parts

APPLICATIONS

- NH-fuse handles are used to insert and remove NH-fuse links and solid links of sizes 00 up to 4 from NH-fuse bases.
- When used in accordance with the relevant operating instructions it is possible to insert and remove both fuse links and solid links under load condition.
- The special label in accordance with VDE 0680 - stamp: "1000V" on the handle enables the user to know that the handle may also be used for live operations in systems up to 1000V AC.

STANDARDS

- DIN VDE 0636-2
- DIN VDE 680-4



NH Fuse Handles

PRODUCT RANGE



08024.000000

NH Fuse Handle with arm protection

Catalog number	Reference number	Size	Weight	Package
08024.000000	X216105A	00-4	627.3 g	1/6



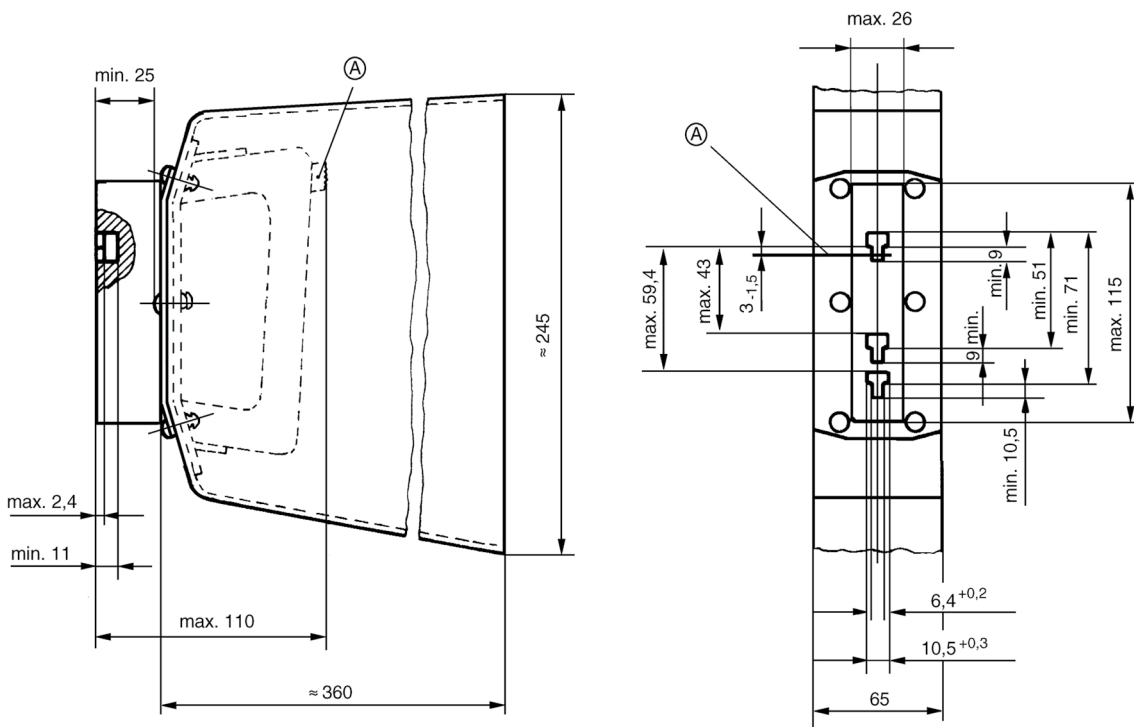
NHHANDLE

NH Fuse Handle without arm protection

Catalog number	Reference number	Size	Weight	Package
NHHANDLE	P215592E	00-4	0.284 kg	5/25

DIMENSIONS

NH-fuse handle



Dimensions in mm